

体積、容積 答え

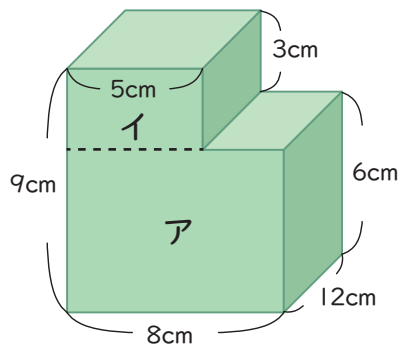
① 343 m^3

計算式： $7 \times 7 \times 7 = 343$

② 380 cm^3

計算式： $4 \times 15 \times 10 - 4 \times 11 \times 5 = 600 - 220 = 380$

③ 756 cm^3



$\text{ア} = 12 \times 8 \times 6 = 576 \text{ cm}^3$

$\text{イ} = 12 \times 5 \times 3 = 180 \text{ cm}^3$

$576 + 180 = 756 \text{ cm}^3$

④ 4.5L

計算式： $15 \times 15 \times 20 = 4500 \text{ cm}^3$

$4500 \div 1000 = 4.5\text{L}$

⑤ $8 \frac{4}{7} \text{ cm}$

計算式： $15 \times 35 = 525$ $4500 \div 525 = \frac{60}{7} = 8 \frac{4}{7}$

⑥ 5L

計算式： $20 \times 25 \times 10 = 5000$

$5000 \div 1000 = 5$

⑦ $5 \frac{5}{9} \text{ cm}$

計算式： $5000 \div (30 \times 30) = \frac{50}{9} = 5 \frac{5}{9} \text{ cm}$